



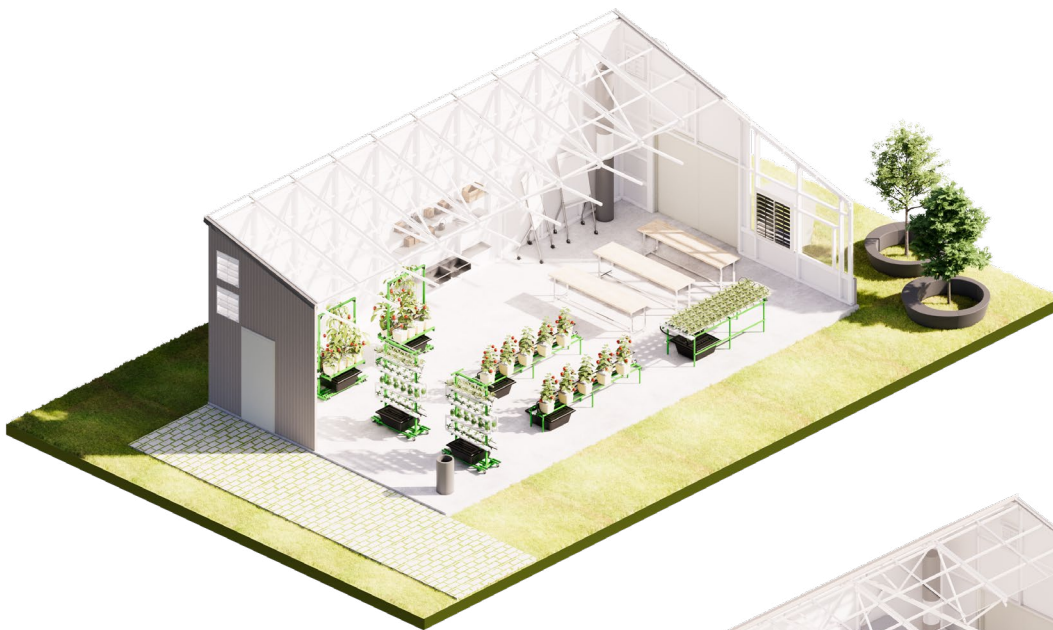
EDUCATIONAL GREENHOUSE

— GROW SYSTEMS —

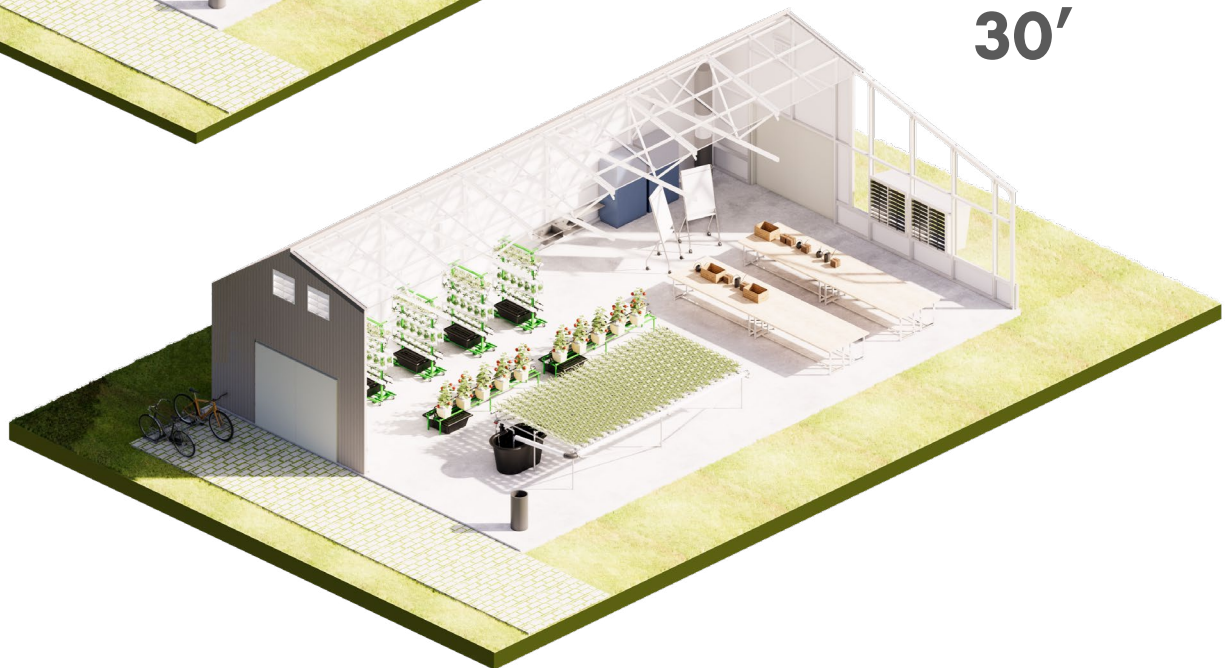


Ceres year-round school greenhouse kits are designed to enhance educational curricula by providing hands-on growing experiences for students k-12 to university level.

Ceres and CropKing partner to deliver school-specific growing systems into a year-round, controlled environment that supports experiential learning.



23'



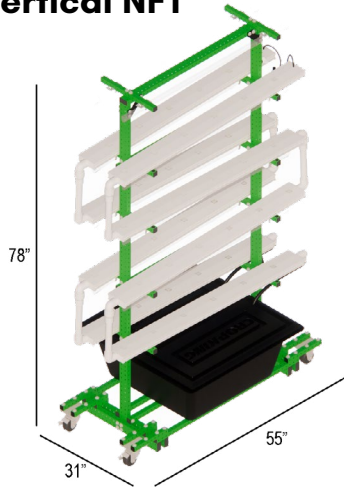
30'

Faculty & Staff Training: CropKing can tailor a customized workshop or professional development based on your goals, in person at your location or at CropKing offices, or through virtual training. Whether you need to train teachers to run hydroponic equipment, need assistance with setup and the first growing cycle, or something more, CropKing's team can provide the technical support needed to efficiently run your greenhouse.

NFT SYSTEMS

The CropKing NFT (nutrient film technique) system is perfect for growing crops that require less time commitment. Plant varieties include lettuces, edible flowers and herbs. The NFT system can even be used with bare-root strawberry plants.

Vertical NFT



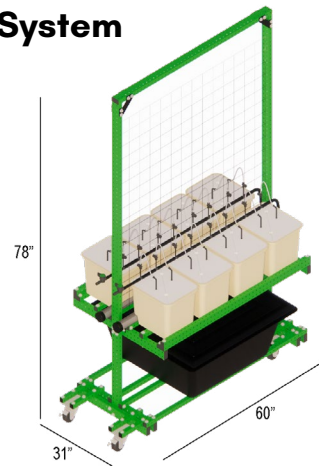
Specs:

- (8) 4 ft. long PVC channels
- (48) plant spaces in the system

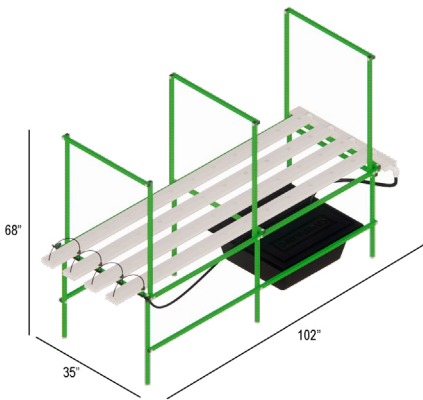
BATO BUCKET SYSTEMS

The CropKing Bato Bucket system allows your class to unlock a greater selection of crops. Its design and function are meant to facilitate vining, fruiting, flowering and longer growing crops such as beans, peppers, tomatoes, cut flowers, okra and cucumbers.

8-Bato Bucket System



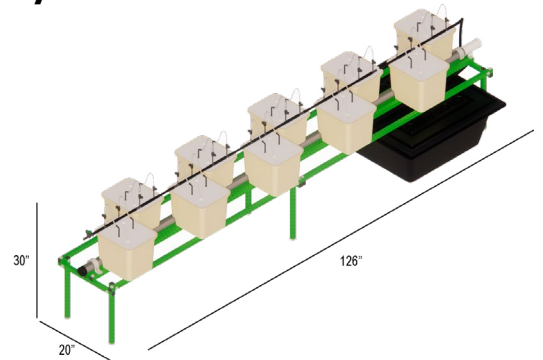
NFT 8-4



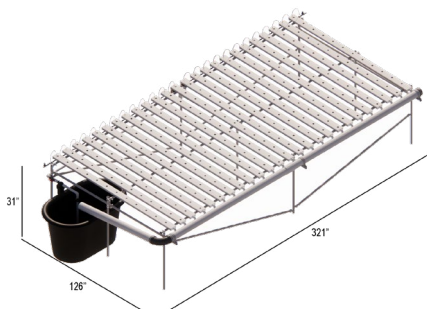
Specs:

- (4) 8 ft. long PVC channels
- (48) plant spaces in the system

10-Bato Bucket System



NFT 8-25



Specs:

- (25) 8 ft. long PVC channels
- (300) plant spaces in the system



Ceresgs.com
+1 303 495 5006



CropKing.com
+1 330 302 4203